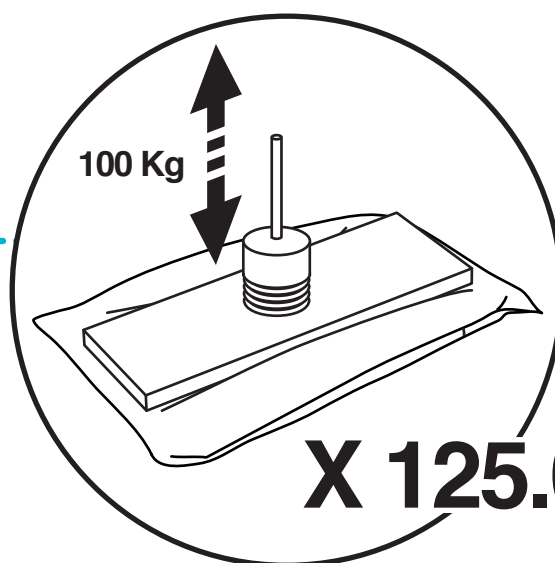
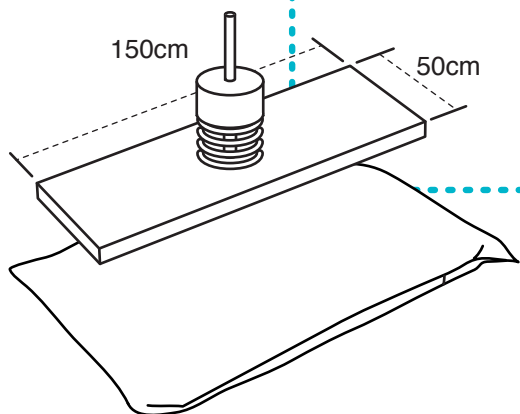
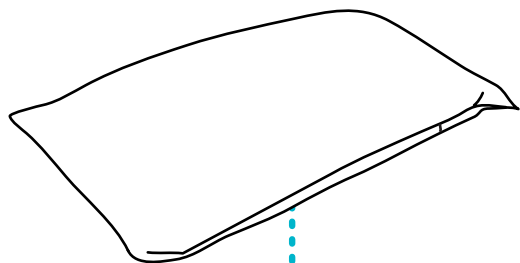


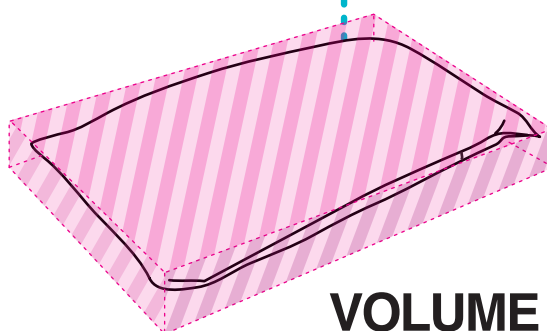
# jaquió®

Fresh and Funky\_

200%  
MADE IN ITALY



**X 125.000**



**VOLUME -10%**

★ NESSUN DANNO AL TESSUTO  
NO DAMAGE TO FABRIC

**CATAS®**

// TEST RESISTENZA A FATICA VERTICALE CATAS  
VERTICAL FATIGUE STRENGTH TEST CATAS

// MARIE, PAULINE, MARGAUX